

## X SERIES

More clamping force  
Reduced Jaw Deflection



## ROCKLOCK™

Swap Vises and Fixtures Quickly  
No setup required



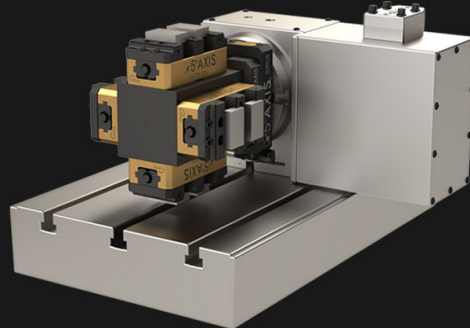
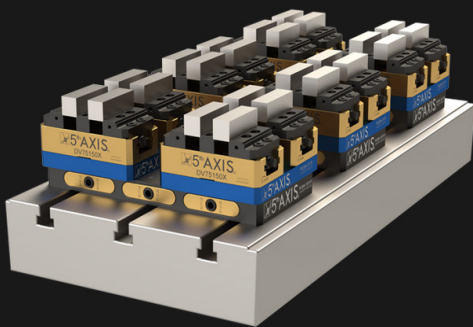
## THE DEUCE

Double Station  
Multiple Parts



# WORKHOLDING EVOLVED.

efficient workholding = more parts = higher profitability

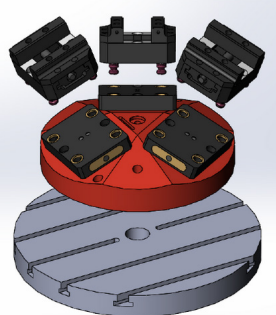


## MULTI-STATION

View and download model options for your machine.

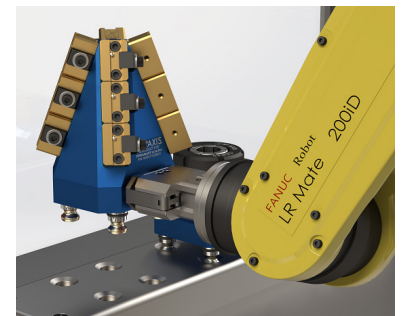
[SEE WHAT FITS YOUR MACHINE >](#)

Visit [fifthaxis.com](http://fifthaxis.com) to access the **online compatibility tool**



## Automation

- ▶ Pneumatic Chucks
  - Air to Open
  - Spring to Close
- ▶ Low Profile Transport Cleat
- ▶ Universal Adaptable Gripper
- ▶ Integrates with 5th Axis Top Tooling and all Risers, Pyramids and Tombstones



More solutions available at [fifthaxis.com](http://fifthaxis.com)