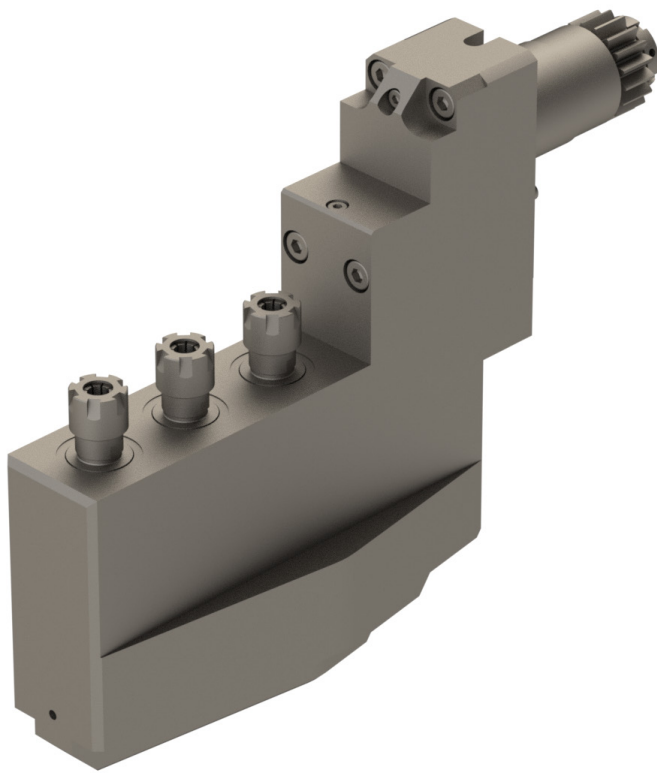


**NEW!**

# LIVE TOOLING

## CIT-BSE-3007-IK-3X



Fits:  
CITIZEN A20  
CITIZEN D25  
CITIZEN L20/L25  
CITIZEN A32/L32  
CITIZEN M32  
CITIZEN M532



**NEW & UNIQUE**  
Can be used with  
or without coolant  
turned on

Type of tool holders: Radial  
Work location: Upper gang tool post  
3 coolant through ER11 spindles  
1-1 for tap  
2 for drills and mills  
Internal cooling



Many live tooling types available

Contact your DISTRIBUTOR for more information



Call today for your  
free catalog  
**413-562-4800**